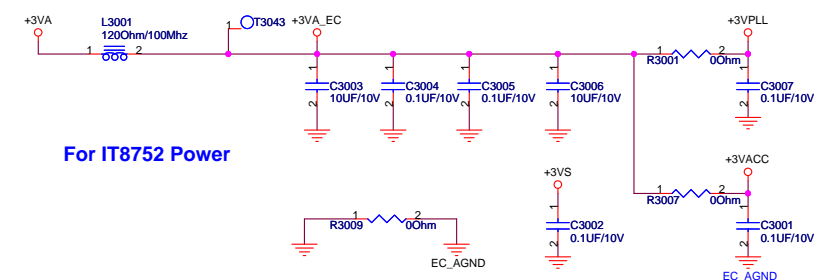
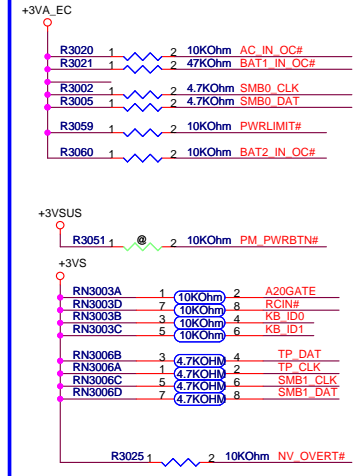


For IT8752 Power

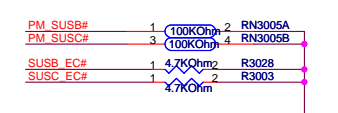


For PU / PD

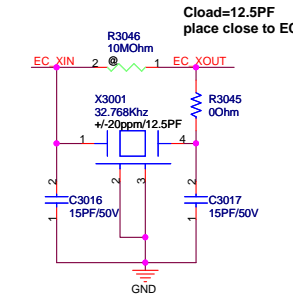


For Instant Key

Note: Close to EC



For X'tal



For EC Hardware Strap

For iAMT pin name

I/O Base Address
 Note: It can be programmable by EC firmware

Share Memory
 Note: It can be programmable by EC firmware.

PP Enable
 Note: Default Int. Pull-Low

ASUS Title : **EC_I78752**
 ASUSTeK COMPUTER INC. NB4 Engineer: **Jace_Kuo**

Size	Project Name	Rev
Custom	M50Vm	1.0

Date: Thursday, April 17, 2008 Sheet 30 of 96

delete BATSEL_3S#

Nvidia thermal